

## MFW 2000 MFW 2000

### VERTICAL BAGGING MACHINE

Vertical Bagging Machine suitable for packaging a variety of products, using pre-folded polyethylene film. The machine can be inclined when packaging product require gentle handling, thus providing great flexibility. It can be integrated with various types of feeding devices such as Weigh Scales, Inclined Belts, Volumetric Dosers, etc.



#### Production:

Up to 15 bags/ minute

#### Bag size:

max 270 mm x 240 mm  
min 80 mm x 40 mm

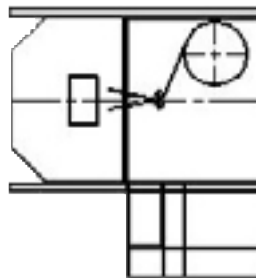
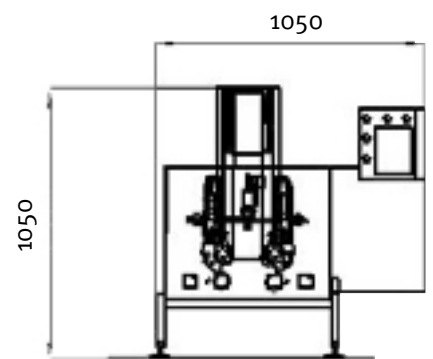
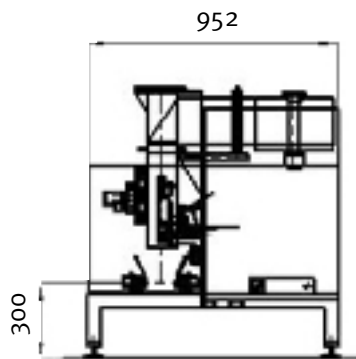
#### Pre-folded film:

max 300 mm - 600 mm



# Features and performances

- Stainless steel Forming Tubes
- Powered Film Unwinding belts
- Bag Length Control by Encoder
- Special Sealing System for Polyethylene Film
- Pneumatic-driven Sealing Jaws
- FESTO pneumatic devices
- Controlled by PLC Siemens
- Equipped with: - Seal Cooling System
  - Bag Length Control
  - Double Bag Length Control



layout

**imanpack**

PACKAGING SOLUTIONS

Via lago di Bolsena, 19 36015 Schio (VI) ITALY  
tel. +39.0445.578.811 fax +39.0445.575.111  
www.imanpack.com info@imanpack.it