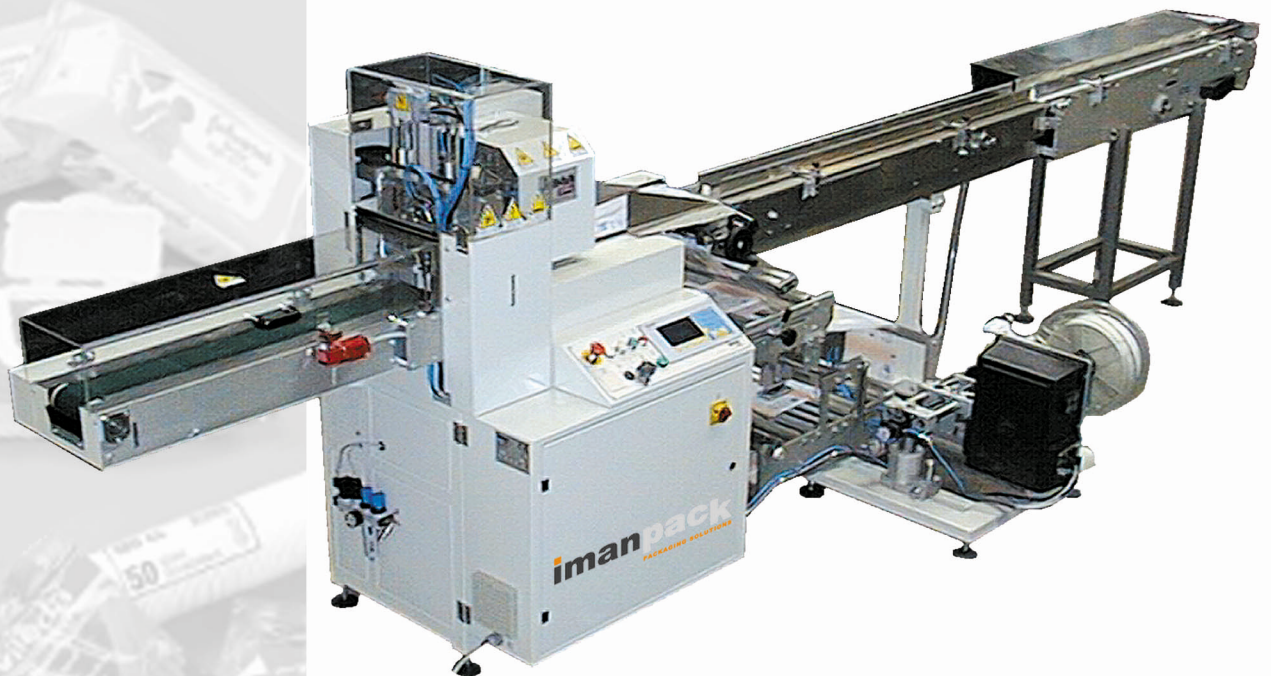


Micropac Lts

Micropac Lts

Long Time Sealing Horizontal Wrapper

This versatile long time sealing horizontal wrapper is suitable to wrap solid products with polypropylene, laminate or polyethylene films.



Product Range:

Length: 80 to 600mm

Width: 40 to 180mm

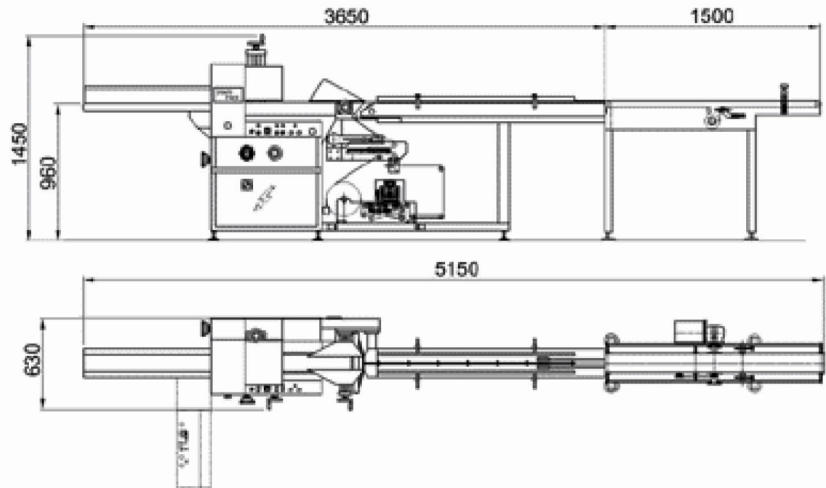
Height up to 100mm

Speed up to 50 bags/min



Features and specification

- Main frame painted steel construction
- Operated by PLC Siemens
- Control panel with Iman Pack keyboard on machine frame
- Longitudinal sealing unit adjustable in height with tzo
- pairs of sealing wheels and one pair to fold the fin seal
- Box Motion transversal sealing jaws
- 400mm width reverse reel holder
- Universal forming tunnel adjustable by handwheel
- Machine according to CE standard regulation



bottom film feed

also available:

- Different automatic feeding system
- Pneumatic punch to perforate the film
- Resealable label
- Printers
- Gusseting device
- European/sombrero hole punch
- Gas insertion

imanpack

PACKAGING SOLUTIONS

COMPANY
WITH QUALITY MANAGEMENT
SYSTEM CERTIFIED BY DNV
=ISO 9001:2000=

Via lago di Bolsena, 19 36015 Schio (VI) ITALY
tel. +39.0445.578.811 fax +39.0445.575.111
www.imanpack.com info@imanpack.it