

# Feeder/Dispenser

## VALUE SERIES

Model V-1000 CE  
Patent Pending.



### OVERVIEW

The V-1000 is the newest generation of continuous feeding technology in our Value Series. The V-1000 features quick and tool-less setup, quick make-ready, and easy maintenance. It is capable of feeding a wide variety of materials with exceptional alignment qualities. CE certified.

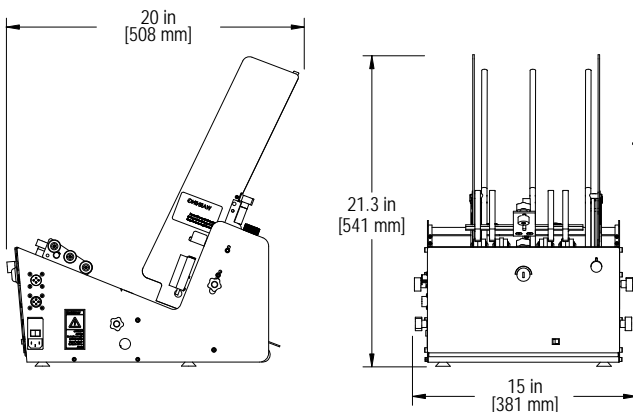
### APPLICATIONS

- Mail Processing
- Ink Jet Bases
- Labeling Bases
- Tabber Bases
- Folding Machines
- Reinforcing Machines

### TECHNICAL DATA

Maximum Product Size:	12 W x 12 L in (304.8 x 304.8 mm)
Minimum Product Size:	2 W x 3 L in (50.8 x 76.2 mm)
Min/Max Product Thickness:	.003-1.0 in (.07-25.4 mm)
Belt Speed:	7800 ipm (19,812 cm/min)
Electrical Requirements:	115vac, 60Hz, 3A 230vac, 50/60Hz, 1.5A
Weight:	47 lbs. (21.3kg)
Warranty:	Two-year limited

### DIMENSIONS



### FEATURES

### ADVANTAGES

### BENEFITS

Movable Feed Belts	Position belts for optimum product feeding.	Consistently feed a wide variety of products straight.
Movable Product Separators	Separate product either on or off the belts.	Separate products that vary in thickness.
Quick Release Side Guides	Allows side guides to easily pass over belts.	Faster setup increases productivity.
Single Knob Side Guide Adjustment	Individual side guide position adjustment.	Reduces operator setup time.
Quick Change Carriage	Faster belt replacement.	Reduces downtime.
Quick Access Service Panel	Easy access to controls and electronics.	Simple, efficient maintenance.
Universal Electronic Interface Kit	Interface the start/stop function with most systems.	Ability to integrate with most mailing bases.

PT Asia Ltd.  
998 Moo 3, Samrong Nua, Muang, Samutprakarn 10270 Thailand  
Phone : +66 2 759-3605-12 Fax : +66 2 759-35699  
Email : info@ptasia.biz  
Website : www.ptasia.biz | www.ptasia.asia | www.ptasia.co.th | www.ptasia.info